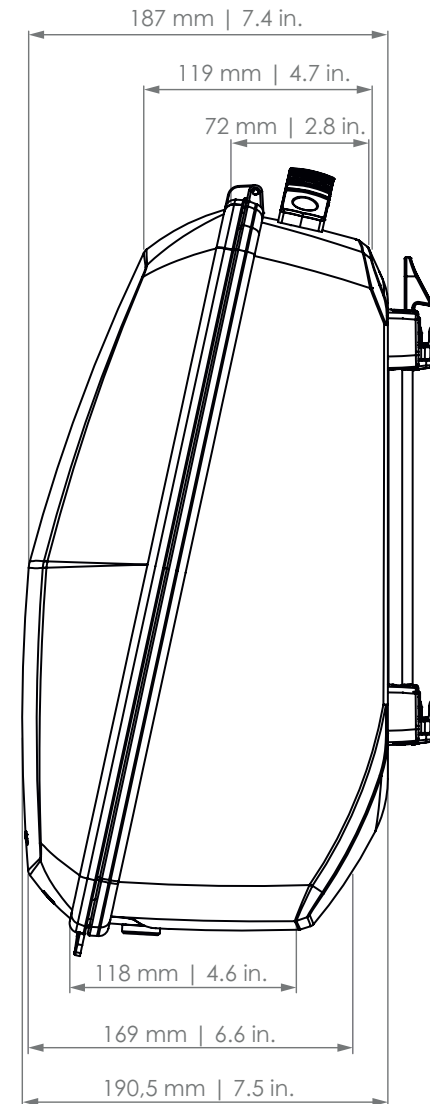
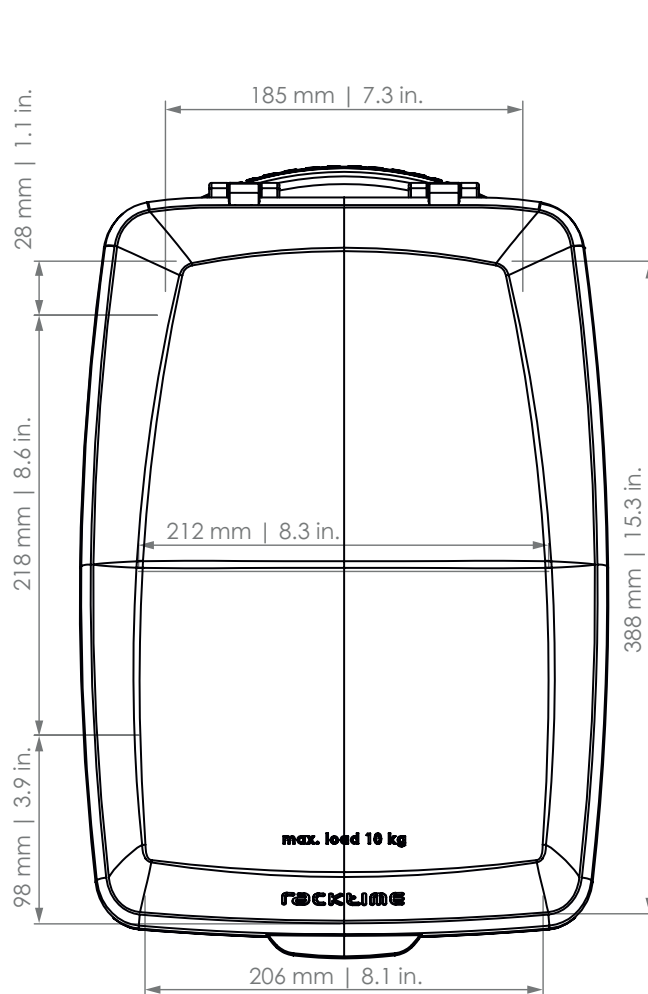


# TOUR BOX

Art. 44800



- PATENT-PENDING -