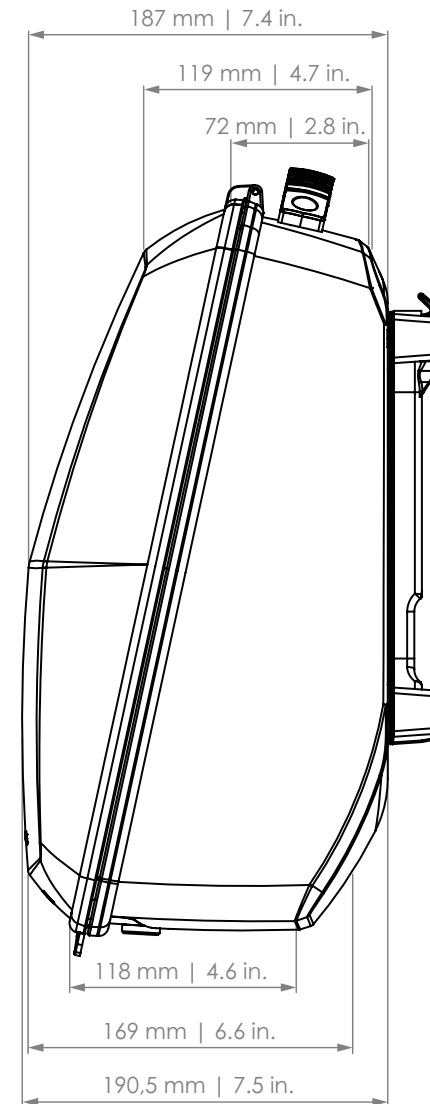
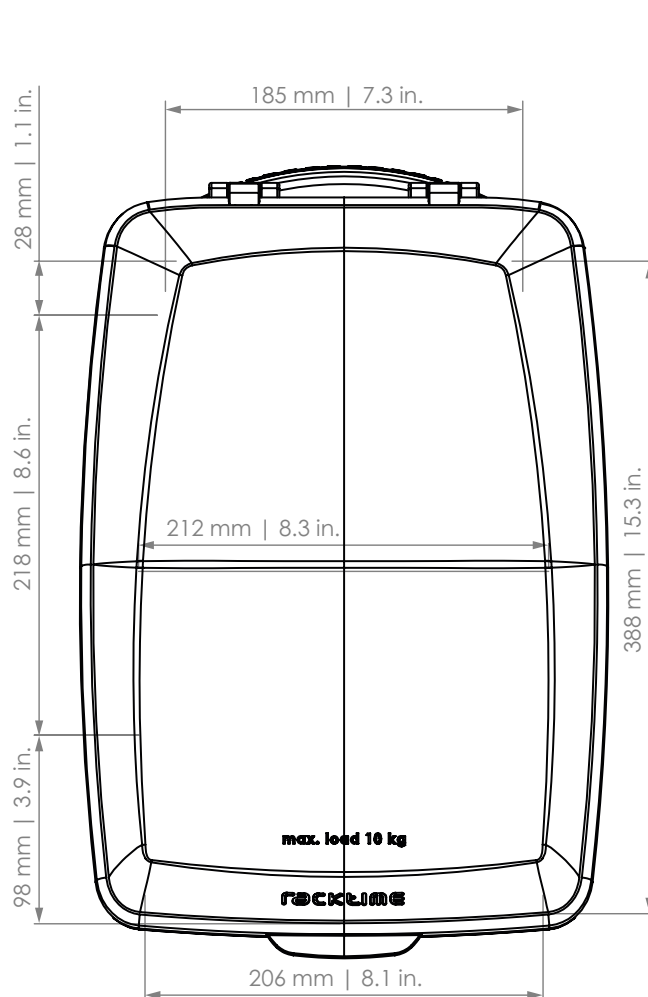


TOUR BOX 2.0

Art. 24800



- PATENT-PENDING -