















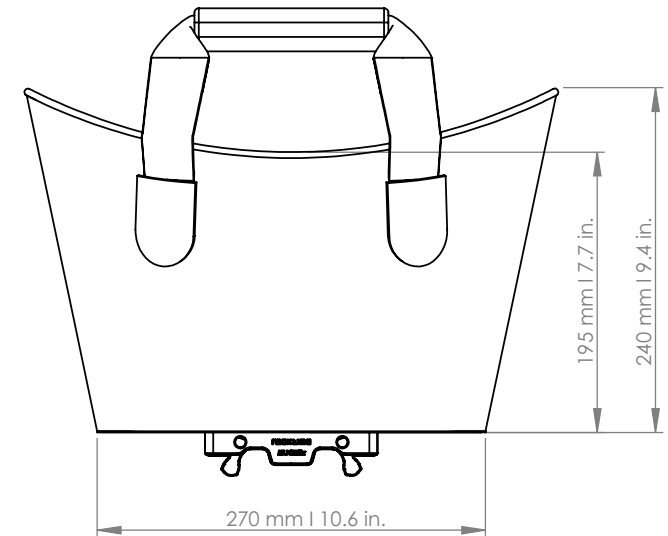
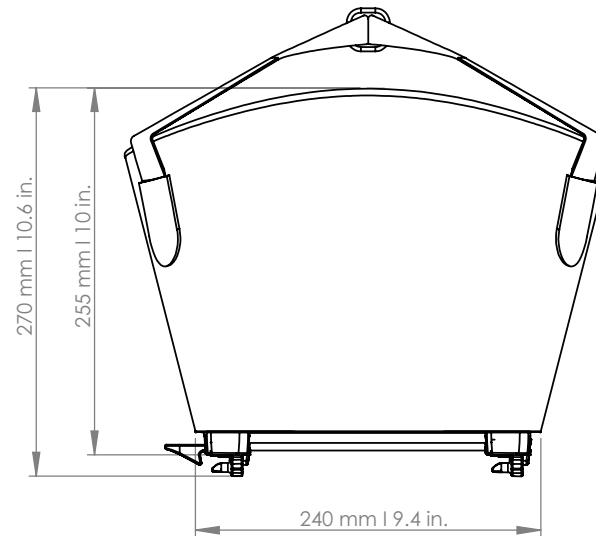
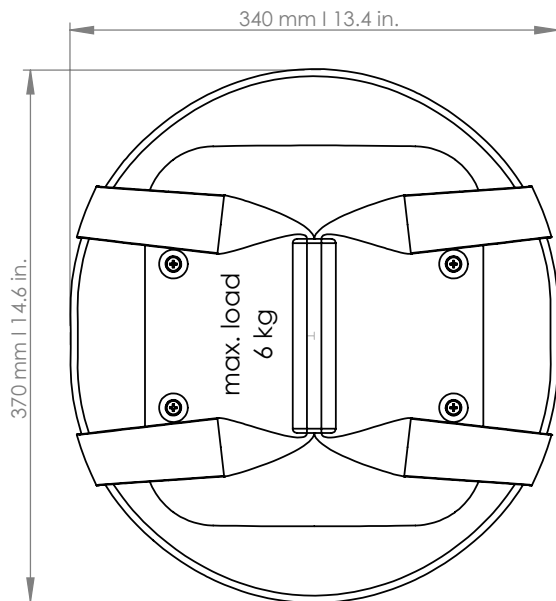


AGNETHA

- | | | | |
|---|---|--|--|
|  Art. 0700-001 carbon black |  Art. 0700-005 desert sand |  Art. 0700-009 Nautical Ropes |  Art. 0700-013 Noble Red |
|  Art. 0700-002 berry blue |  Art. 0700-006 Sweet Candy |  Art. 0700-010 Polka Dots |  Art. 0700-014 Deep Ocean |
|  Art. 0700-003 peat bog green |  Art. 0700-007 Violet Moon |  Art. 0700-011 Rosegold |  Art. 0700-015 Parrot |
|  Art. 0700-004 dust grey |  Art. 0700-008 lime green |  Art. 0700-012 Midnight Flowers |  Art. 0700-016 Veggie |



- PATENT-PENDING -